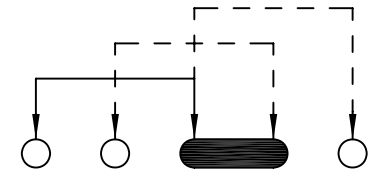
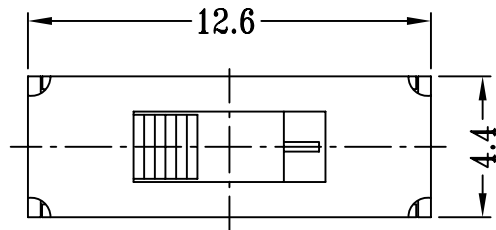
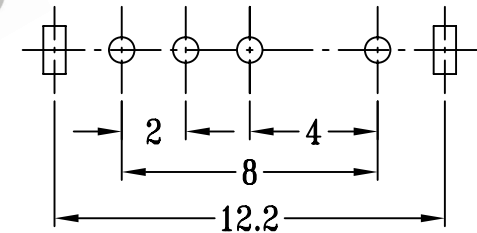
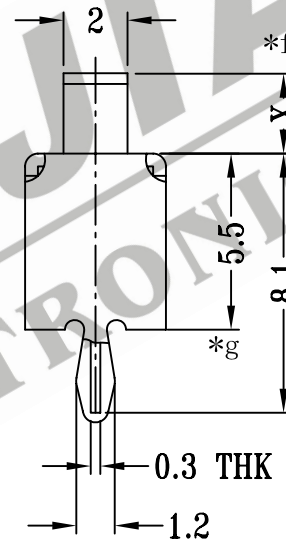
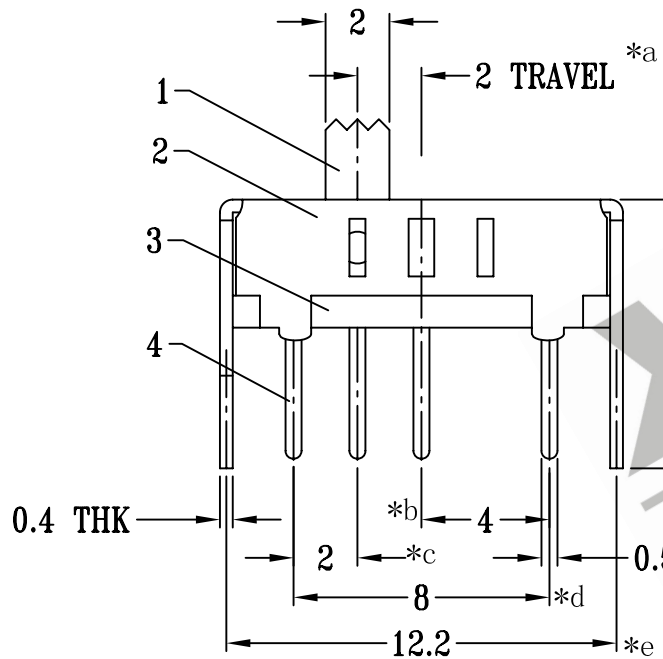


CAD FILE:



**SCHEMATIC (SHORTING)**



**P.C.B LAYOUT**

注：带“\*”表示关键尺寸(7个)

NO.	PART NAME	MATERIAL	Q'TY	FINISHING	TOLERANCE UNLESS SPECIFIED	SHENZHEN XIEJIA ELECTRONICS CO.,LTD.			
8						TITLE : VERTICAL SLIDE SWITCH			
7									
6	SPRING PLATE	STAINLESS STEEL	1	NATURAL	WITHIN: 1.5±0.1mm	DRWG NO.: XJ-DR-SS13D11-00			
5	CONTACT CLIP	PBS	1	Ag CLAD	OVER : 1.5±0.2mm				
4	TERMINAL	BRASS STRIP	4	Ag PLATED OVER Ni PLATED		DWN. ZHOUYU 2002-6-28			
3	BASE	PHENOLIC RESIN	1	NATURAL					
2	FRAME	STEEL STRIP	1	Ni PLATED		APPD. KANGXINAN 2002-6-28			
1	KNOB	POM	1	BLACK					